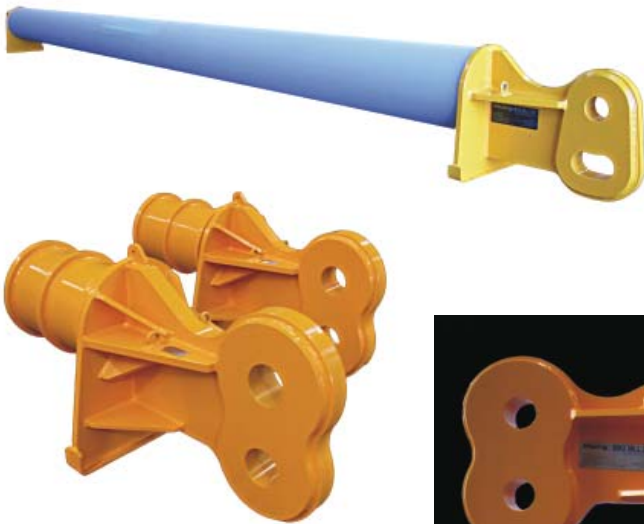




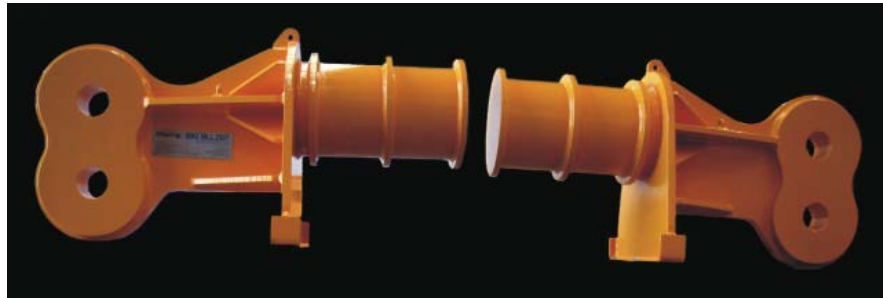
SPREADER BAR END CAPS & EQUALISERS	142
SPREADER BARS	143
CONTAINER LIFTERS 20 & 40FT	144
PERSONNEL WORK CAGES	145
LOAD ROLLERS & LOAD SKATES	146
HAND PALLET TRUCK & LIFTING FORKS	147
PALLET LIFTING BARS & LIFTER TROLLEYS	147
DRUM LIFTERS & CANVAS CHAIN BAGS.....	148

MATERIALS HANDLING

MAXILUG SPREADER BAR END CAPS



Maxilug End Caps allow users to create their own custom length, medium-lift and heavy-lift spreader bars. Designed to accommodate readily available line pipe, Maxirig can supply the units as is or with various pipe lengths to facilitate lifts of varying dimensions. All Maxirig End Caps meet AS4991-2004 parent standard product assurance, are proof load tested and MPI weld inspected and are guaranteed for 1 year.



Specifications	Maxilug 25	Maxilug 50	Maxilug 80	Maxilug 145	Maxilug 250	Maxilug 400
Capacity at 60°:	25 T	50 T	80 T	145 T	250 T	400 T
Capacity at 90°:	20 T	30 T	35 T	80 T	160 T	230 T
Tare weight per pair (excl pipe or rigging):	65kg ea / 130kg	110kg ea / 220kg	175kg ea / 350kg	210kg ea / 420kg	600kg ea / 1200kg	800kg ea / 1600kg
Lifting lugs (top) suit	17 T Grade 'S' safety bow shackle	35 T Grade 'S' safety bow shackle	55 T Grade 'S' safety bow shackle	85 T Grade 'S' safety bow shackle	150 T Grade 'S' safety bow shackle	250 T Grade 'S' safety bow shackle
Load lugs (lower) suit	13 T Grade 'S' safety bow shackle	35 T Grade 'S' safety bow shackle	55 T Grade 'S' safety bow shackle	85 T Grade 'S' safety bow shackle	150 T Grade 'S' safety bow shackle	250 T Grade 'S' safety bow shackle
Intermediate pipe:	273.1mm OD x 6.4mm Wall C350LO (42.1kg/m)	273.1mm OD x 6.4mm Wall C350LO (42.1kg/m)	323.9mm OD x 9.53mm Wall C350LO (73.9kg/m)	355.6mm OD x 9.53mm Wall C350LO (81.1kg/m)	457mm OD x 12.7mm Wall C350LO (139kg/m)	508mm OD x 12.7mm Wall C350LO (155kg/m)

MAXIRIG EQUALIZERS



When using multiple sling legs this device provides a means of equalizing forces within the legs. Connection is made via standard Grade "S" bow shackle and can be used with chain, wire rope or synthetic slings. Ideal in compensating for differences in load lift points and sling lengths.

Specifications	EQP1005	EQP1010	EQP1020	EQP1030	EQP1050	EQP1085	EQP1100
Capacity:	5 T	10 T	20 T	30 T	50 T	85 T	100 T
Tare weight per pair (excl associated rigging):	10kg	15kg	25kg	40kg	90kg	130kg	190kg
Lifting lugs (top) suit, safety bow shackle:	6.5 T Grade 'S'	12 T Grade 'S'	25 T Grade 'S'	35 T Grade 'S'	55 T Grade 'S'	85 T Grade 'S'	120 T Grade 'S'
Load lugs (lower) suit, safety bow shackle:	3.2 T Grade 'S'	6.5 T Grade 'S'	12 T Grade 'S'	17 T Grade 'S'	35 T Grade 'S'	55 T Grade 'S'	85 T Grade 'S'

MAXIRIG TELESCOPIC COMBINATION BEAMS

Maxirig
QUALITY LIFTING SOLUTIONS

- Highly versatile and ideally suited for use by mobile crane operators, each unit functions as both a spreader bar in the 60°, 90° and 120° positions as well as a lifting beam.
- Added to this is the ability to alter the length of the device to suit the lift.
- Each unit is constructed from heavy duty steel and supplied with a proof load test certificate, magnetic particle inspection report along with a certificate of conformance with the relevant Australian Standard.



MODEL	Max. WLL as SPREADER (T)			Max. WLL (T) as LIFT	LENGTH (mm)		TARE (KG)
	60°	90°	120°		OPEN	CLOSED	
TSB1015	1.5	1.5	N/A	n/a	3000	1800	25
TSB1063	6	3.5	2	n/a	3000	2000	50
TSB1065	6	6	4.5	n/a	5000	3000	105
TSB1103	10	10	7.5	2.75	3510	2310	100
TSB1106	10	10	6	n/a	6000	4000	160
TSB1204	20	16	9	3.5	4000	2650	150
TSB1206	20	14	8	2.1	6000	4000	215
TSB1304	30	22	12.5	3.1	4000	2800	200
TSB1306	30	22	12.5	2.2	6000	4000	260
TSB1504	50	30	18	6	4000	2800	260
TSB1506	50	30	18	4.2	6000	4000	360
TSB1806	80	70	40	5	6000	4000	605

MAXIBAR MODULAR SPREADER BAR SYSTEM

Maxirig
QUALITY LIFTING SOLUTIONS

- Combining high working load limits with light weight and maximum adjustability, the Maxibar range of tubular spreaders offer a lifting solution for just about any job.
- Each unit is constructed from heavy duty steel and supplied with a proof load test certificate, magnetic particle inspection report along with a certificate of conformance with the relevant Australian Standard.



MODEL	WLL at Max. LENGTH (T)			LENGTH ADJUSTMENT RANGE (mtrs)		ADJUSTMENT INCREMENT (mm)	TARE (KG)
	60°	90°	120°	Max.	Min.		
Maxibar 3	4	4	3	1.5	0.5	100	50
Maxibar 8	8	5	3	2.5	0.5	100	85
Maxibar 15	16	9	5	4	1.0	500	140
Maxibar 30	26	15	8	6	1.5	500	300
Maxibar 40	35	20	11	8	1.5	500	470
Maxibar 60	37	21	12	11	1.5	500	940
Maxibar 80	50	29	16	12	2	500	1220
Maxibar 100	93	53	31	12	2	500	1895
Maxibar 120	85	49	28	16	2	500	2915
Maxibar 145	76	44	25	20	2	500	3900
Maxibar 300	150	90	N/A	26	2	500	6600

Each individual product manufactured by Maxirig is provided with the following:

- Certificate of conformance to parent standard
- Proof load test certificate of secondary design verification
- Magnetic particle inspection of welding
- In the case of personal cages - each is design registered with relevant Workcover authorities
- Detailed user notes including check lists
- Manufacturers guarantees

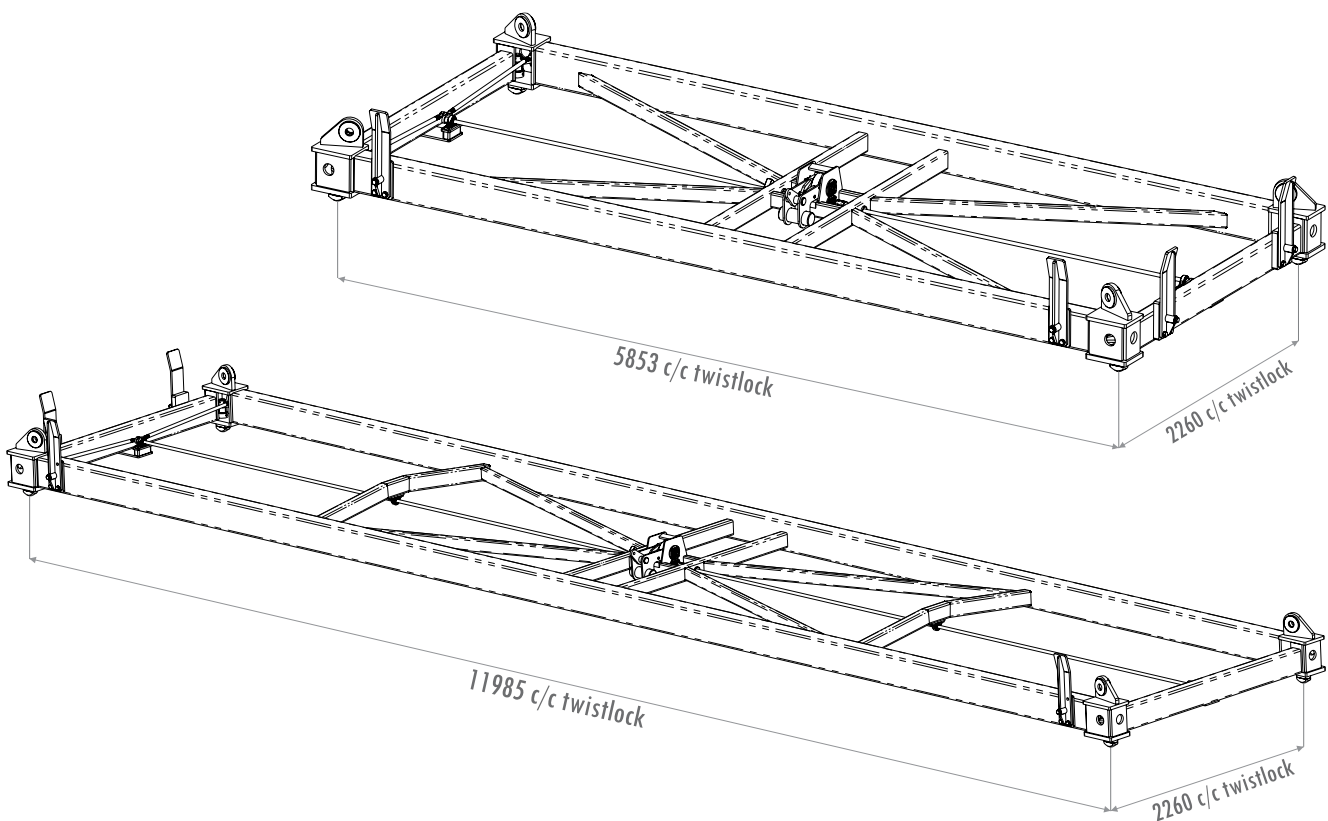


MAXIRIG 20 & 40 FT CONTAINER LIFTER



This device is for handling 20 and 40 foot ISO shipping containers. Features include sling activated mechanical twistlocks, low maintenance - no electrics or hydraulics, eliminates need for personnel to attach slings, operate twistlocks or get on top of containers. Ideal for use when stacking containers.

20 Foot Description		40 Foot Description		Product Assurance	
Work Load Limit:	25,000kg (25T)	Work Load Limit:	35,000kg (35T)	Parent Standard:	AS4991 - 2004
Tare Weight:	1,200kg	Tare Weight:	1,800kg	Proof Load Testing:	Yes
Dimensions:	5853mm (W) x 2260mm (L)	Dimensions:	2520mm (W) x 12,235mm (L)	MPI Weld Inspection:	Yes
Finish:	Powder coated safety yellow	Finish:	Powder coated safety yellow	Manufacturer's Guarantee:	1 Year



MAXIRIG PERSONNEL CAGES



Single person workbox with roof

This compact unit is ideal for use in situations where space is limited. The unit carries HW fixtures for attachment of safety harnesses, fully internal handrailing and the added protection of a mesh roof.

Description		Product Assurance	
Work Load Limit:	125kg	Parent Standard:	AS4991 - 2004
Tare Weight:	125kg	Proof Load Testing:	Yes
Dimensions:	600mm x 600mm x 2300mm	MPI Weld Inspection:	Yes
Finish:	Powder coated safety yellow	Manufacturer's Guarantee:	1 Year



Two person workbox

The most popular work cage in the Maxirig range, this unit balances capacity with a slim profile. The unit carries HW fixtures for attachment of safety harnesses and fully internal handrailing.

Description		Product Assurance	
Work Load Limit:	250kg	Parent Standard:	AS4991 - 2004
Tare Weight:	250kg	Proof Load Testing:	Yes
Dimensions:	1200 (W) x 600(L) x 1155 (H)	MPI Weld Inspection:	Yes
Finish:	Powder coated safety yellow	Manufacturer's Guarantee:	1 Year



Two person workbox with roof

This cages continues to offer the narrow profile of the BMC1025 but with the added protection of a roof. The unit carries HW fixtures for attachment of safety harnesses and fully internal handrailing.

Description		Product Assurance	
Work Load Limit:	250kg	Parent Standard:	AS4991 - 2004
Tare Weight:	300kg	Proof Load Testing:	Yes
Dimensions:	1200 (W) x 750 (L) x 2300 (H)	MPI Weld Inspection:	Yes
Finish:	Powder coated safety yellow	Manufacturer's Guarantee:	1 Year



Three person workbox

Where extra capacity is required, this unit accommodates 3 persons easily with space for tools and materials. The unit carries HW fixtures for attachment of safety harnesses and fully internal handrailing.

Description		Product Assurance	
Work Load Limit:	350kg	Parent Standard:	AS4991 - 2004
Tare Weight:	350kg	Proof Load Testing:	Yes
Dimensions:	1200 (W) x 1200 (L) x 1155 (H)	MPI Weld Inspection:	Yes
Finish:	Powder coated safety yellow	Manufacturer's Guarantee:	1 Year



Three person crane suspended work cage

Maintaining a slim profile, this unit is sized to accommodate three persons with sufficient space for a quantity of tools and materials. The unit carries forged Harris Walton fixtures for attachment of a safety harness and fully internal handrailing. Supplied with 2.3m dedicated multileg chain sling to suit.

Description		Product Assurance	
Work Load Limit:	3 person / 350kg	Parent Standard:	AS4991 - 2004
Tare Weight:	300kg (excl shackles/rigging gear)	Proof Load Testing:	Yes
Dimensions:	2000 (W) x 1000 (L) x 1155 (H)	MPI Weld Inspection:	Yes
Finish:	Powder coated safety yellow	Manufacturer's Guarantee:	1 Year



LOAD ROLLERS



- Heavy duty construction
- Complete with swivel plate
- Suitable for industrial applications
- Nylon rollers allow for easy movement and protect floors



Prod. Code	Working Load (t)	Dimensions (mm)	Weight (kg)	No. Of Wheels
EZROLLER6T	6	305x210x112	14	4
EZROLLER12T	12	510x210x112	28	8
EZROLLER18T	18	510x310x112	44	12

STEERABLE LOAD ROLLERS

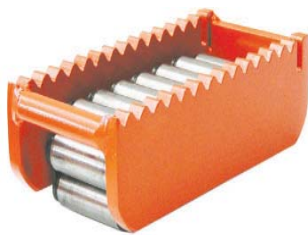


- Heavy duty construction
- Suitable for industrial applications
- Move large machinery
- Complete with handle
- Swivel plate included
- Protect painted floors



Prod. Code	Working Load (t)	Dimensions (mm)	Weight (kg)	No. Of Wheels
EZROLLER6TS	6	360x270x105	22	4
EZROLLER12TS	12	625x505x112	48	8
EZROLLER18TS	18	810x515x112	52	12

PACIFIC LOAD SKATES



Load skates are low profile load movers designed to facilitate the moving, positioning or installation of a wide range of loads, such as heavy equipment, machinery and bridge structures. Available in 10 tonne, 30 tonne and 75 tonne capacities (per set of four).

Features

- Compact dimensions for easy positioning and portability.
- Can be fitted with optional turntable and steering handle if required.



Model		LSK010	LSK030	LSK075
Capacity per 4	tonne	10	30	75
Unit Length	mm	188	210	290
Unit Width	mm	100	100	145
Unit Height	mm	65	65	100
Unit Track Width	mm	55	55	72
Unit Roller Diameter	mm	20	20	30
Unit No. of Rollers		14	16	14
Unit Rollers in contact		5	6	6
Unit Weight	kg	4.5	5	18
Unit Height with Turntable	mm	100	100	-
Unit Turntable Top Dia.	mm	100	100	-

Model	LSK010	LSK030	LSK075
Surface conditions	Load per set of four skates (tonnes)		
Excellent - flat, heavy duty concrete in good condition overlaid with steel. Skate lubricated.	10	30	75
Good - commercial reinforced concrete.	7	20	50
Poor - cast concrete panels, dished or dirty surface.	4	15	30

PALLET LIFTING BARS



- Rated for lifting pallets up to 2000kg
- Complete with end hooks to keep bars separated for stability
- Made to suit a variety of pallet sizes
- Bars must be at least 900mm apart

HAND PALLET TRUCK

Capacity: 2500kg

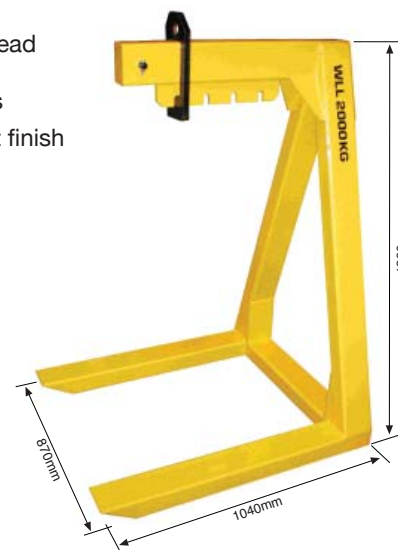
- Entry and exit rollers prevent physical exertion of the operator and protect load roller and pallet
- Totally sealed hydraulic pump with a slow lowering hand control valve
- Full adjustable push rod under forks
- 3-position control handle, grease fittings at key points



A-FRAME PALLET LIFTING FORK

Capacity: 2500kg

- Simple to use overhead lifting frame to suit standard size pallets
- Durable powdercoat finish
- Supplied tested and certified



LIFTER TROLLEY



Lifter Trolleys are the safe and versatile way to transport loads in warehouses, workshops, loading docks, hospitals, libraries, assembly lines, offices and nurseries. Raising heavy loads with the use of hydraulics, helps reduce workplace related injuries. Available in sizes from 150kg up to 800kg.

Features:

- Single and double scissor lift models for high reach
- Castor wheels enable easy positioning in tight spaces
- Sealed bearing wheels for durability and cleanliness
- Positive braking system on rear wheels for safety
- Overload valve ensures load limit is not exceeded
- Special hydraulic valving ensures loads lower slowly
- One-piece table-top for strength and easy cleaning
- Handle folds flat for storage on 150kg and 300kg models

Model	mm/kg	PH150F	PH300F	PH500	PH-800	PH-350H	PH-500H
Lift capacity	kg	150	300	500	800	350	500
Max height of platform	mm	750	900	970	1000	1400	1125
Min height of platform	mm	220	300	330	355	335	335
Platform size (w x l)	mm	450x700	500x800	500x900	550x1000	500x900	500x900
Overall size (w x l)	mm	450x860	550x970	550x1070	550x1230	550x1070	505x705
Wheel (ø x w)	mm	100x30	130x40	130x40	150x40	150x40	130x40
Packing weight	kg	33	73	90	118	112	91

DRUM LIFTING CLAMPS



Three designs provide safe, lifting and repositioning of (44 gallon) drums with or without lids. Available in vertical, horizontal and tong styles.

Capacity kg	Model mm	Drum Size Hole	Headroom dia.	Suspension mm	Weight kg
500	Vertical	200L	152	50	5
500	Horizontal	200L	470	50	5
500	Drum Tong	200L	520	Shackle	14

WEBBING DRUM LIFTER

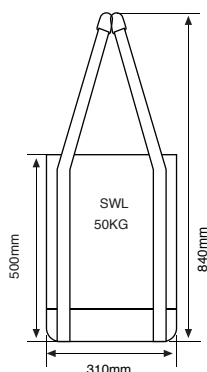


Our popular drum lifters are designed for ribbed 44 gallon drums and are an easy and safe way of handling these items.

Code	Description	WLL
DR-1	With metal head ring	500kg
DR-1-1	With metal head ring	1000kg
DR-2	With lifting eyes	500kg

CANVAS LIFTING BAG

- Heavy duty canvas construction
- Solid timber base
- Supplied with load test certificate
- Ideal for lifting scaffold clips, bolts, tools etc.



BLACK CHAIN BAG

Designed with the utmost attention to safety, convenience, and strength to assist with the containment of excess lifting chain resulting from loads being hoisted, thus preventing common hazards associated with loose chain.

